

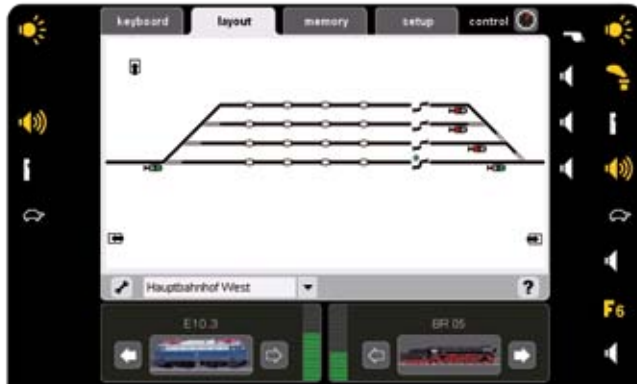
central station

märklin
digital

Unsurpassed in its Groundbreaking Features:
Innovative Digital Worlds of Train Operation. Developed by Märklin.



Operate with no Limits: An Overview of the Functions on the New Central Station.



Track Diagram Control Board (layout)

- With feedback function full operations automation is possible
- The track diagram can be edited as desired
- Direct display of the feedback contents
- The size selected offers full operation capabilities
- Individual items and complete routes can be integrated into the switching processes



Routes (memory)

- The display on the screen borrows from item no. 6043 (memory)
- Routes can be activated manually or by means of feedback contacts (automation)
- The current route status is displayed
- Block operation and staging yard control is possible
- Routes can be edited graphically
- All of the actions here can also be viewed on the Keyboard or on the track diagram control board



For collectors and smart model railroaders: Locomotive cards with memory space for all of a locomotive's functions, for quick loading and call-up on every Central Station.

Layout	
Representation of the Layout	color
Operating signals	✓
Operating turnouts	✓
Operating routes	✓
Displaying feedback contacts	✓
Editing the Layout	✓

Memory	
Presentation similar to 6043 (Memory)	color
Activating routes	✓
Display of route status	✓
Activating with feedback contacts	✓
Number of routes	416
Graphic editing of routes	✓
Block operations	✓
Staging yard	✓

Controller, General Features	
Separate buttons for functions	yes



Locomotive Operation Screen (control)

- Tachometer and Speed Bars (similar to LZB80)
- Locomotives are presented as colored icons
- All 16 functions as freely defined symbols
- Locomotive selection by database, list, or locomotive card
- Unmistakable direction display
- Quick access to locomotive characteristics and CVs
- mfx locomotives are registered after about 10 seconds
- Automatic address recognition of Motorola locomotives

Possible Connections

Update with a PC	✓
Update with a USB stick	✓
Update directly via the Internet without a PC	✓
Integration into a home network	✓
USB mouse or wireless mouse	✓
USB keyboard or wireless keyboard	✓
Mobile Station	✓
6020/6021 central units (full-fledged)	by means of external adapter
6015/6017 Booster	✓
60173 Booster	✓
s88 Feedback Module	✓
60212 Central Station	by means of external adapter

Settings

Network (IP address, etc...)	✓
Set the view ("skins")	✓
Languages	de/en/fr/nl
Calibration of the touch screens	✓
Backup of data	internally and USB stick

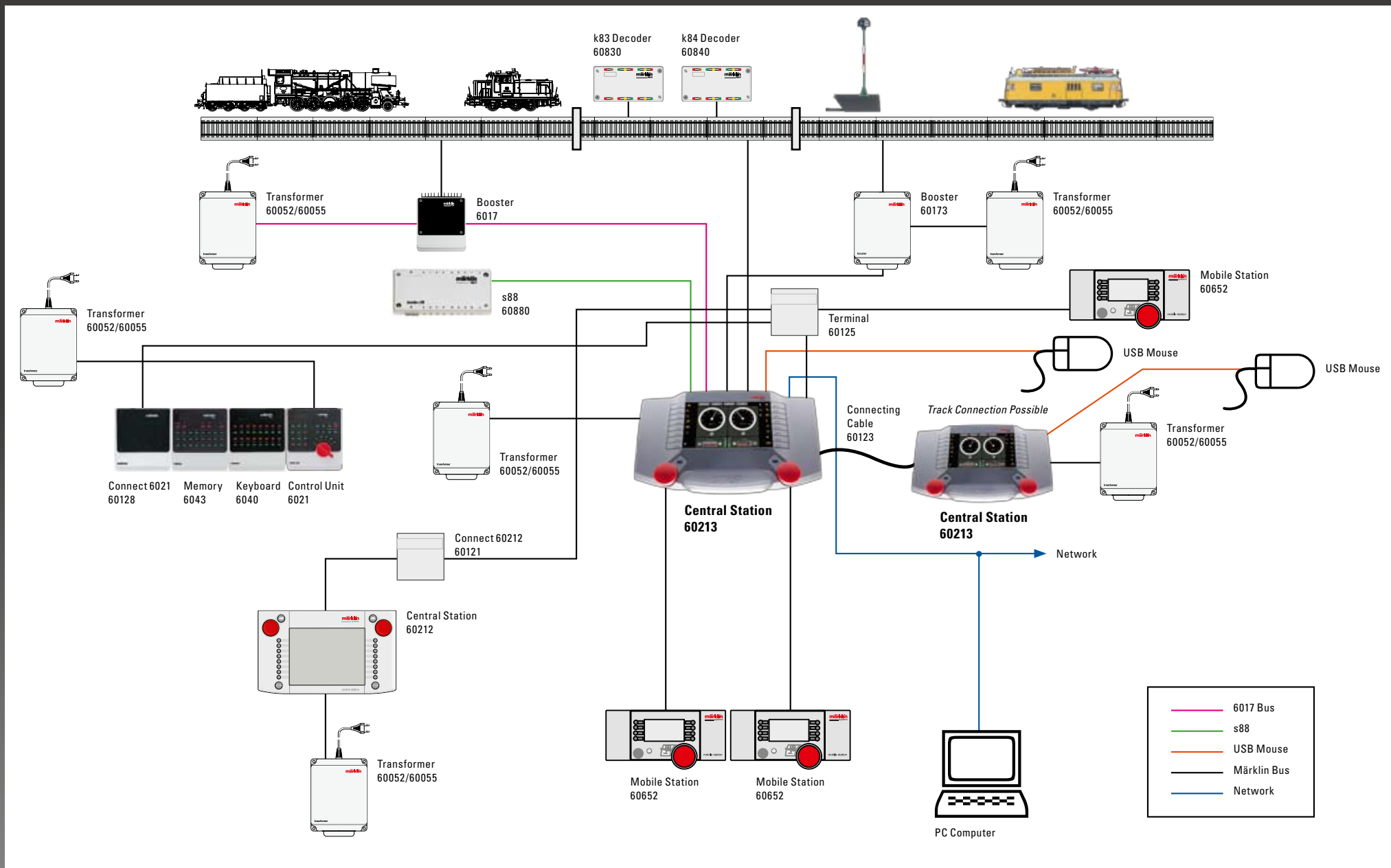
Keyboard

Presentation of the solenoid accessories	color
Activating solenoid accessories	✓
Editing solenoid accessories	✓
Special items turntable / transfer table ...	✓
Turntable, new	✓
Context-sensitive help with images	✓
Number of solenoid accessories	320 (double solenoid)

Control

Graphic Tachometer	color
Adjustable tachometer scale	✓
Locomotive icons	✓
Functions by means of icons and buttons	✓
Locomotive cards for locomotive selection	✓
Automatically set up and read mfx locomotives	✓
Address recognition for Märklin locomotives	color
Adding to locomotive images	✓
Multiple consist motive power	✓
Database	✓
Mobile hand-held locomotive controllers	MS
Shuttle train route	✓

Endlessly Ingenious: The System Architecture for the Central Station.



Ask Away: Answers to the Most Frequent Questions about the Central Station.

Why are the buttons on the Central Station necessary if there is a touch screen?

The buttons offer additional ease of control, since they can be operated without looking at them. The buttons can be used to activate a locomotive's functions that are frequently used. Beyond that, the touch screen allows you to reach other control elements directly and represents an ideal control surface when you want a graphic way to set locomotive functions in line with the wishes of the user.

Does cleaning the touch screen lead to its (slow) destruction?

No, as long as it is cleaned properly. It's true that the touch screen is a sensitive operating element and should therefore be handled carefully. Märklin will announce guidelines for handling the Central Station and suitable cleaning materials for, when the units become available.

What kind of booster output does the Central Station have?

The power booster included in the Central Station provides a maximum output power of 48 VA.

Does the Mobile Station have the same database as the Central Station?

The 60213 Central Station has the latest version of the database with data for almost all Märklin locomotives with digital decoders since 1985. The database in the 60652 Mobile Station is not changed, when this unit is connected to the 60213 Central Station. The newest version of the database for the Mobile Station can only be installed by connecting that unit to the 60212 Central Station with Version 2.04 software.

Can a system with a Central Station be expanded with Boosters?

Yes, the 60173 Booster with mfx capabilities will be available to go with the new system; this booster unit can receive feedback messages for these decoders from the track. Control of the Boosters and feedback messages for the decoder data are done with the bus line for the Central Station. The Booster provides a maximum output power of 48 VA.

How many Mobile Stations can be connected to a Central Station?

Two Mobile Stations can be connected directly to a Central Station. However, additional Mobile Stations can also be connected at different locations on the layout by means of the bus line for the Central Station and distribution boxes connected to this bus line.

What system is used for the data connection (interface) built into the Central Station and at what speed does it work?

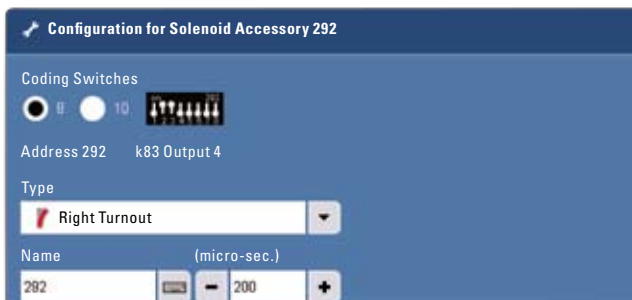
The interface has an Ethernet connection and can be linked with this connection to the network cards for almost all modern personal computers and Macintosh computers. The transmission rate is 10 megabits/second (compared to the 2,048 bits/second for the older 6051 Interface).

Can the 7686 digital turntable and the 7286 turntable equipped with the 7687decoder be controlled with the 60213 Central Station?

Yes. Under the menu item "Keyboard", the 15th Keyboard on the Central Station comes from the factory set up so that the turntable can be controlled with all of its functions. You also have the option to transfer this to other Keyboard addresses on the Central Station.

What adjustment is required on the coding switches for a k83 decoder so that the additional addresses 257 through 320 can be used?

When you assign labels in the Central Station for the different decoders' coding switches, the appropriate switch setting is automatically displayed for 8 coding switches (k83, k84 decoder, etc.) or 10 switches (74460 decoder, etc.). Therefore, you only need to take this switch setting into the Central Station.



Is it correct that other Central Stations can be connected to the new Central Station?

The 60213 Central Station is capable of controlling a model railroad directly with another central unit of the same type or via the 60125 Terminal. One controller is manually set up as the main unit and the other controller is manually set up as the auxiliary unit. You can add other 60213 Central Stations to this combination if you like. The 60212 Central Station can be integrated into this operations combination only via a special adapter that will be available in 2009. The earlier 6021 Control Unit can also be integrated into this combination in the future with its own adapter without the limitations of the Sniffer input on the 60212 Central Station.

How can I safeguard or back up the settings on the 60213 Central Station?

The new USB connection is an interesting alternative in addition to backing up data on a personal computer. You can now back up data used on the Central Station by saving it on a USB stick without using a computer and then transfer it to a Central Station at anytime.

Can other USB devices also be used?

Computer users have frequently become accustomed to working with a personal computer mouse. The 60213 Central Station is therefore designed in such a way that this entry device can also be connected to the USB port. Using an external USB keyboard can also be handy when entering turnouts and your existing motive power. This is aid to making entries is therefore also supported.

What must be kept in mind about the separation between the power consumption area for a 6015 or 6017 Booster and the power consumption area for the Central Station?

The center conductor between these areas must be separated. No continuous, electrically conductive connection may be present here. The installation of a rocker insulator at the separation point increases the safety factor but unlike the 60212 Central Station is no longer an obligatory requirement.

Uniquely Unrivaled: the Central Station from Märklin.

Unique Unsurpassed Features

- Märklin digital controller as a completely new development
- Large color touch screen
- 2 built-in locomotive controllers
- Built-in Märklin Digital locomotive database
- New housing with a central stop button and a built-in stylus
- Up to 16 controllable locomotive functions
- 2 built-in locomotive card readers
- Built-in powerful booster
- 20 Keyboards for up to 320 solenoid accessories
- Built-in track diagram control board
- Built-in route control
- Shuttle train control
- Built-in USB host for a mouse, keyboard, USB stick
- Several units can be used together
- Network connection



Item no. 60213

märklin

Stuttgarter Straße 55–57
D-73033 Göppingen
www.maerklin.com

We reserve the right to make changes and delivery is not guaranteed. Pricing, data, and measurements may vary.

Some of the models shown in the photographs are hand samples.

The regular production models may vary in details from the models shown. All rights reserved. Copying in whole or part prohibited.

Printed in Germany.
E 140868 – 09/2008



Nur für Erwachsene.
For adults only. Usage réservé aux adultes.
Alleen voor volwassenen.
Kun for voksne.
Solamente para personas adultas.
Solo per adulti.
Só para adultos.

Μόνο για ενήλικες. Μην πετάτε τη συσκευασία.